



## PROFESSIONAL DUAL PURPOSE

### Key benefits

- Designed for motorhomes, caravans and boats with lower energy requirements – ideal for starting and light service applications
- Long lasting – up to twice the cyclic stability of conventional flooded batteries
- Minimal self-discharge makes it ideal for seasonal use
- Ideal for dual power applications (can be used for both starting and overall energy supply)

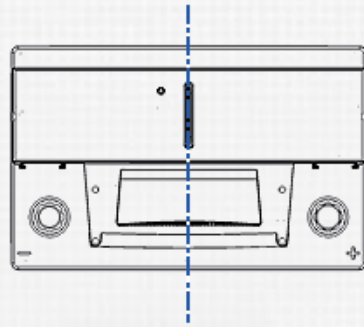
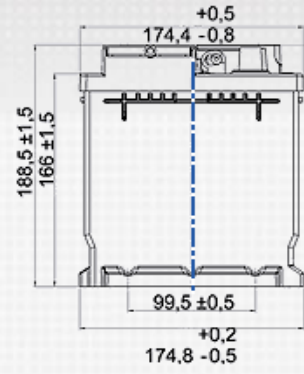
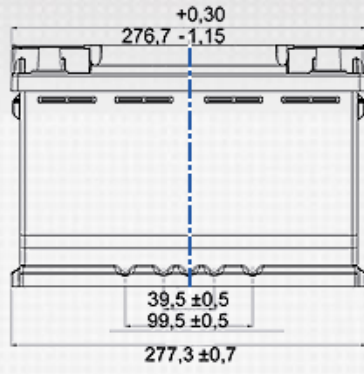
For more information visit [www.varta-automotive.com](http://www.varta-automotive.com)

### ORDER INFORMATION

European Type No. (ETN):	930 075 065
Article Number:	930 075 065 B91 2
Short Code:	LFD 75
Barcode:	4016987141113
Packaging Unit:	1
Quantity per Pallet:	48

### TECHNICAL INFORMATION

Voltage [V]:	12	Height [mm]:	190
Battery Capacity [Ah]:	75	Base Hold-down:	B13
Battery Capacity 5h [Ah]:	64	Layout:	0
Cold Cranking Amps (CCA), EN [A]:	650	Terminal Types:	1
Marine Cranking Amps (SAE) @ 0°C:	813	Case Size:	H6/L3
Length [mm]:	278	Weight filled (kg):	19,500
Width [mm]:	175		



Terminal  
POSITIVE

NEGATIVE

